

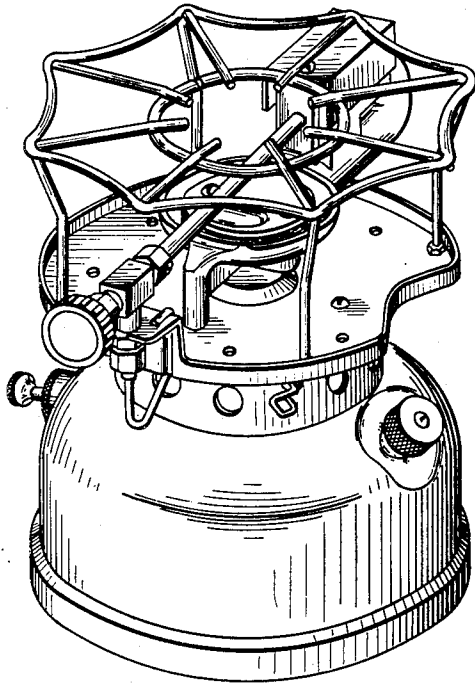
April 23, 1940.

B. W. TULLIS

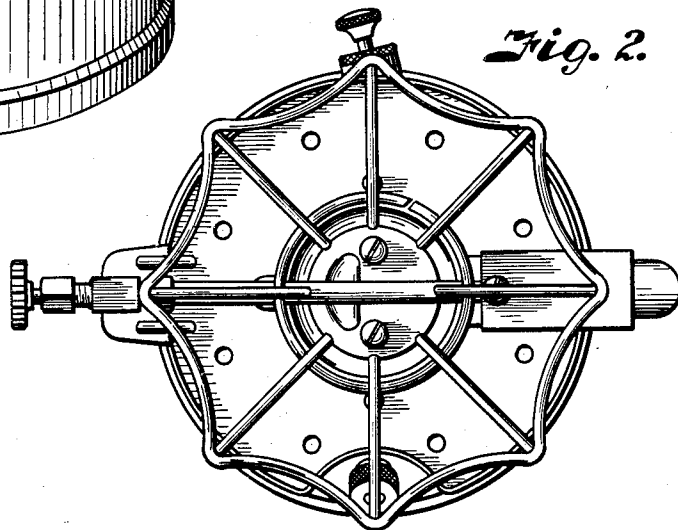
Des. 120,152

STOVE

Filed Jan. 22, 1940

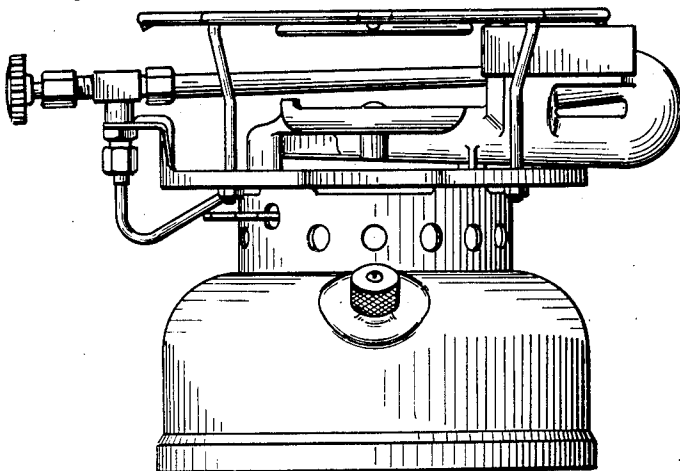


*Fig. 1.*



*Fig. 2.*

*Fig. 3.*



INVENTOR  
Boyd W. Tullis.  
BY  
*Arthur L. Brown*  
ATTORNEY

# UNITED STATES PATENT OFFICE

120,152

## DESIGN FOR A STOVE

Boyd W. Tullis, Wichita, Kans., assignor to The  
Coleman Lamp and Stove Company, Wichita,  
Kans., a corporation of Kansas

Application January 22, 1940, Serial No. 89,623

Term of patent 7 years

*To all whom it may concern:*

Be it known that I, Boyd W. Tullis, a citizen of the United States, residing at Wichita, in the county of Sedgwick and State of Kansas, have invented a new, original, and ornamental Design for Stoves, of which the following is a specification, reference being had to the accompanying drawing, forming part thereof.

Fig. 1 is a perspective view of a stove, showing my new design.

Fig. 2 is a plan view of the stove.

Fig. 3 is a side elevational view of the stove.

I claim:

The ornamental design for a stove, as shown.

BOYD W. TULLIS.