

July 4, 1939.

A. D. OLDS

Des. 115,505

LAMP

Filed May 15, 1939

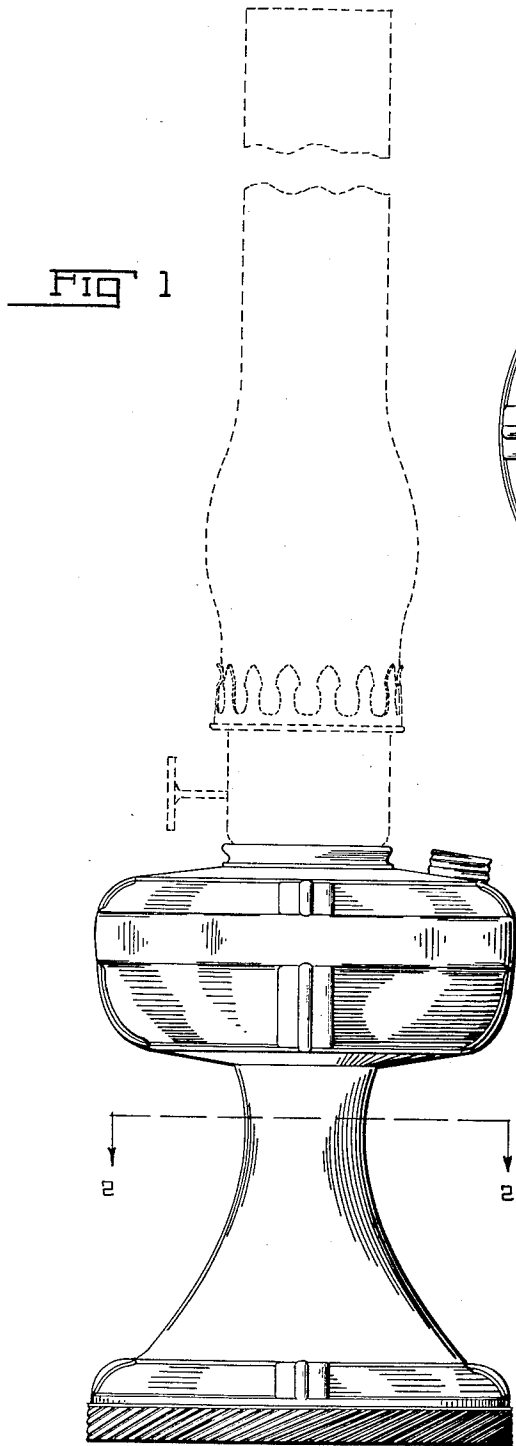


FIG 1

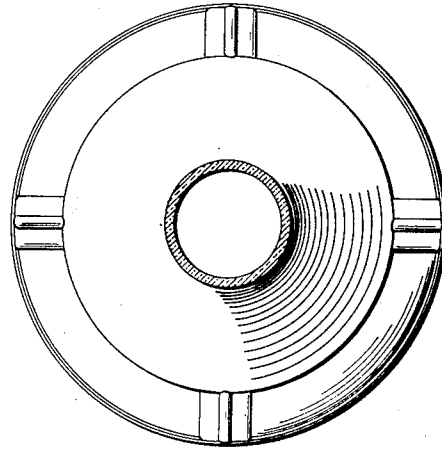


FIG 2

INVENTOR
AMBROSE D. OLDS
BY
Charles R. Werner
ATTORNEY

UNITED STATES PATENT OFFICE

115,505

DESIGN FOR A LAMP

Ambrose D. Olds, Wichita, Kans., assignor to
The Coleman Lamp and Stove Company, Wichita,
Kans., a corporation

Application May 15, 1939, Serial No. 84,997

Term of patent 7 years

To all whom it may concern:

Be it known that I, Ambrose D. Olds, a citizen of the United States, residing at Wichita, in the county of Sedgwick and State of Kansas, have invented a new, original, and ornamental Design for a Lamp, of which the following is a specification, reference being had to the accompanying drawing, forming part thereof.

Figure 1 is a front elevational view of the lamp, showing my new design.

Figure 2 is a cross-sectional view on the line 2—2 of Figure 1.

The dominant feature of the design resides in the portions shown in solid lines.

I claim:

The ornamental design for a lamp, as shown and described.

AMBROSE D. OLDS.