

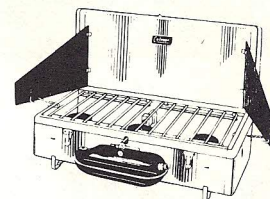
**PARTS LIST**

**443**

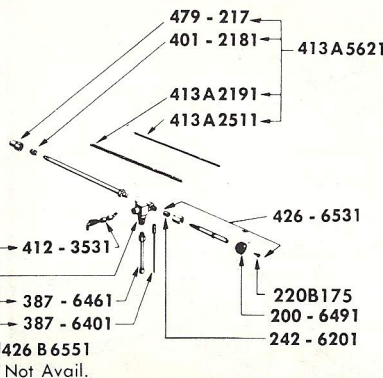
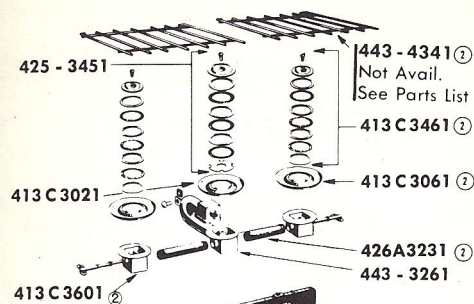
**INSTANT LIGHTING GASOLINE ALUMINUM STOVE (THREE BURNER)**

**COLEMAN STOVES**

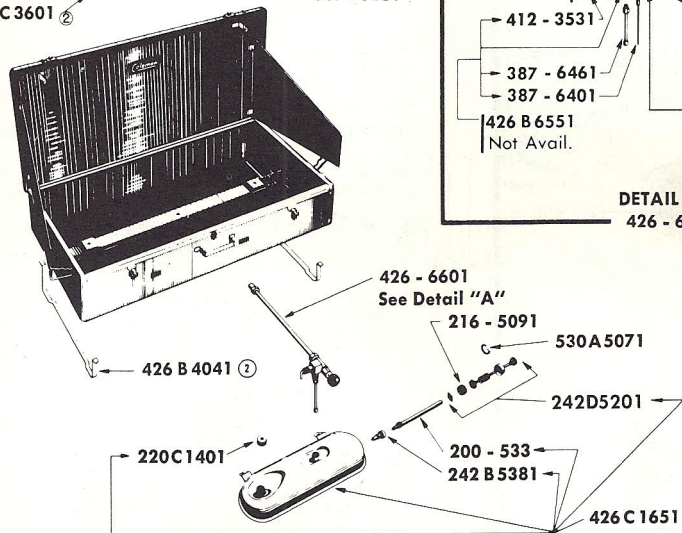
**STOVES**



**Model 443**  
(Discontinued)



**DETAIL "A"**  
426 - 6601



① Quantity of Parts Used in Assembly

**Parts Not Shown:**  
118B1361 Filler Cap Gasket

**MODEL 443 SHOWN**

MODEL	BURNERS	DISTANCE BETWEEN CENTERS	TANK CAPACITY (In Pints)	DIMENSION (Folded — in Inches)		
				Height	Width	Depth
443	3	9 1/4"	3 1/2	6 1/2"	28 3/8"	14"

**PART NO. DESCRIPTION USED ON PART NO. DESCRIPTION USED ON**

8B147	Red Lacquer — Pressurized Spray (Tank)		413A5621	Generator	
118B1361	Filler Cap Gasket — Used only with 220B1401, 220C1401 (for Cap with Disc)		413C3021	Master Burner Bowl	
200 - 533	Air Stem		413C3061	Aux. Burner Bowl	
200 - 6491	Valve Wheel		413C3461	Aux. Burner Cap and Fillers	
216 - 5091	Pump Cup		413C3601	Valve Stem (Aux. — Br. Body with Valve)	
220 - 6361	Filler Cap Gasket & Disc Ass'y. — Discontinued		425 - 3451	Master Burner Cap and Fillers	
220B175	Self-Tapping Screw (#4 — 40 x 5/16")		426 - 4341	Grate	
220C1401	Filler Cap, Complete		426 - 6531	Stem Assembly	
242 - 6201	Valve Stem Packing		426 - 6601	Valve and Generator, Complete	
242B5381	Check Valve		426A3231	Manifold Pipe	
242D5201	Pump Plunger Assembly		426B4041	Leg	
387 - 6401	Block and Needle Assembly		426B6551	Valve — Not Available — Use 426-6601	
387 - 6461	Tube Assembly (Fuel and Air)		426C1651	Tank (Less Generator and Valve)	
401 - 2181	Gas Tip (Marked "B")		443 - 3261	Master Burner Body — Sub 426-3261	
412 - 3531	Lighter Stem		443 - 4341	Grate — Not Available — Use 426-4341	
413A2191	Generator Coil		479 - 217	Tip Protector	
413A2511	Needle Assembly		530A5071	Pump Cap Clip	