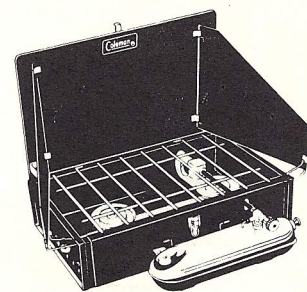


PARTS LIST

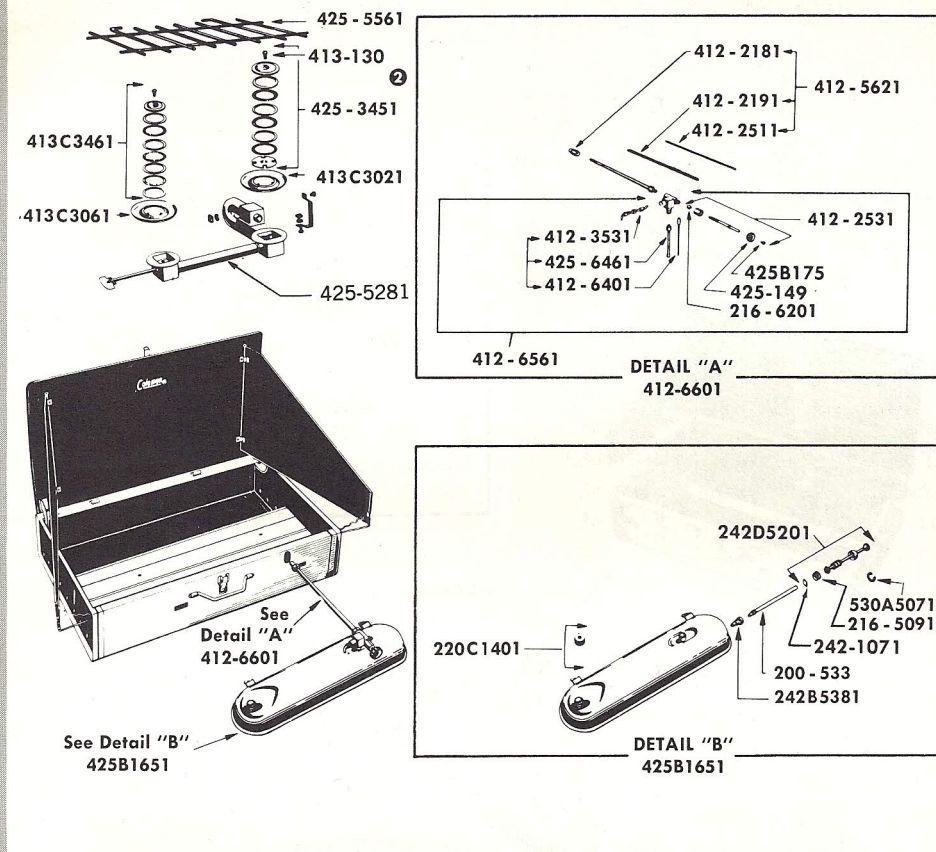
425E
 COMPACT, ECONOMY
 INSTANT LIGHTING GASOLINE
 CAMP STOVE (TWO BURNER)

COLEMAN STOVES

STOVES



Model 425E



MODEL 425E SHOWN

MODEL	FINISH (Enamel)	DISTANCE BETWEEN CENTERS	TANK CAPACITY (In Pints)	DIMENSION (Folded — In Inches)		
				Height	Width	Depth
425E	Forest Green	9 5/16"	2	4 7/8"	18"	11 1/2"

PART NO.	DESCRIPTION	USED ON	PART NO.	DESCRIPTION	USED ON
8B119	Forest Green Enamel — Pressurized Spray		412 - 6401	Block and Needle Assembly	
8B147	Red Lacquer — Pressurized Spray for Tank		412 - 6561	Valve with Stem	
118B1361	Filler Cap Gasket — Used only with 220B1401, 220C1401 Cap with Disc		412 - 6601	Valve and Generator	
200 - 533	Air Stem Assembly		413 - 130	Screw	
216 - 5091	Pump Cup		413C3461	Aux. Burner Cap and Fillers	
216 - 6201	Valve Stem Packing		413C3021	Master Burner Bowl	
220 - 6361	Filler Cap Gasket & Disc Ass'y. — Discontinued		413C3061	Aux. Burner Bowl	
220C1401	Filler Cap, Complete		*415E3261	Master Burner Body	
242 - 1071	Push-On Nut		425 - 149	Valve Wheel	
242B5381	Check Valve		425 - 3451	Master Burner Cap and Fillers	
242D5201	Pump Plunger Assembly		425 - 5281	Manifold Assembly	
412 - 2181	Gas Tip (Marked "AK")		*425 - 5541	Aux. Burner	
412 - 2191	Generator Coil		425 - 5561	Grate	
412 - 249	Valve Wheel, Complete — Replaced by 425-149		425 - 6461	Tube Assembly (Fuel and Air)	
412 - 2511	Needle Assembly		425B175	Self-Tapping Screw	
412 - 2531	Stem Assembly		425B1651	Tank, Complete	
412 - 3531	Lighter Stem		*426A3231	Manifold Pipe	
412 - 5621	Generator		530A5071	Pump Cap Clip	
			1059D1004	Screw, Filler Cap with Disc	

* Can be used on stoves that do not have these parts swaged together. Parts will be supplied as long as they are available.