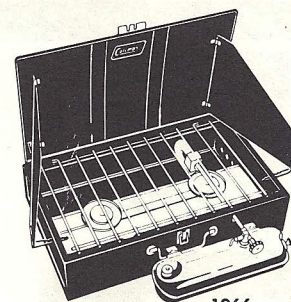


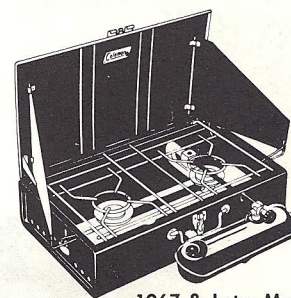
**PARTS LIST**

**413G DELUXE  
INSTANT LIGHTING GASOLINE  
CAMP STOVE (TWO BURNER)**

**COLEMAN STOVES**

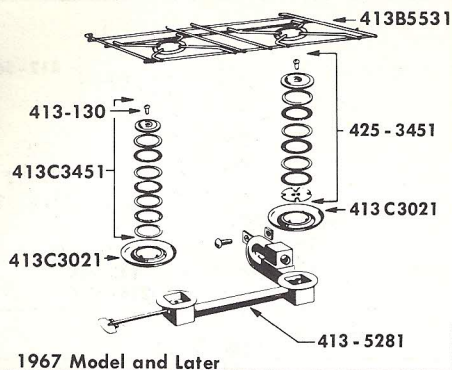


1966  
Model 413G

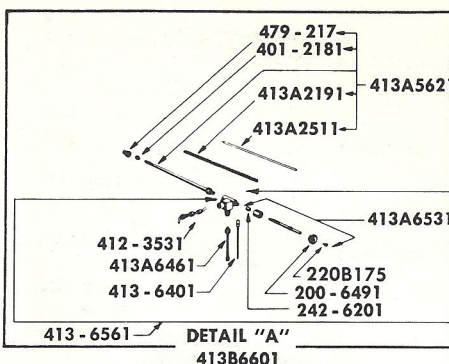


1967 & Later Models  
Model 413G

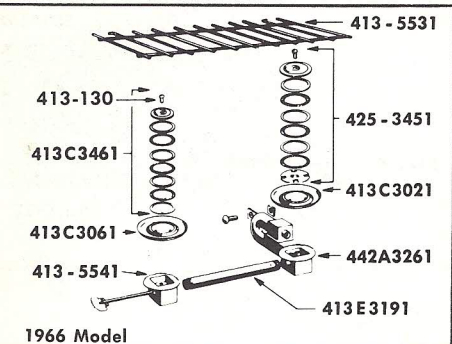
**STOVES**



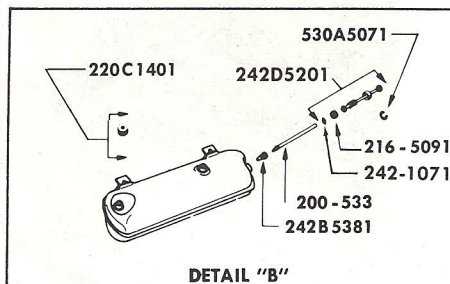
1967 Model and Later



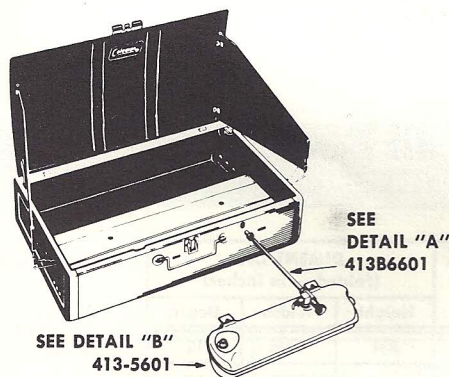
DETAIL "A"  
413B6601



1966 Model



DETAIL "B"  
413-5601



**MODEL 413G SHOWN**

MODEL	FINISH (Enamel)	BURNERS	DISTANCE BETWEEN CENTERS	TANK CAPACITY (In Pints)	DIMENSION (Folded — In Inches)		
					Height	Length	Width
413G	Green	2	11	3	6¼	22	13¾

PART NO.	DESCRIPTION	USED ON	PART NO.	DESCRIPTION	USED ON
8B119	Forest Green Enamel — Pressurized Spray		413-6561	Valve with Stem Assembly (Less Generator)	
8B147	Red Lacquer — Pressurized Spray — Tank		413A2191	Generator Coil	
118B1361	Filler Cap Gasket (for Cap with Disc)		413A2511	Rod and Needle Assembly	
200-533	Air Stem		413A5621	Generator	
200-6491	Valve Wheel		413A6461	Tube Assembly (Fuel and Air)	
216-5091	Pump Cup		413A6531	Valve Stem Assembly	
220B175	Self-Tapping Screw (#4 — 40 x 5/16")		413B5531	Grate — Not interchangeable with 413-5531	
220-6361	Filler Cap Gasket & Disc Ass'y. — Discontinued		413B6601	Valve and Generator, Complete	
220C1401	Filler Cap, Complete		413C3021	Master Burner Bowl	
242-1071	Push-On Nut		413C3061	Aux. Burner Bowl	
242-6201	Valve Stem Packing		413C3451	Aux. Burner Cap and Fillers — Will not work with 413C3061 Bowl used on some early 413G stoves.	
242B5381	Check Valve		413C3461	Aux. Burner Cap & Fillers — Used with 413C3061 Bowl	
242D5201	Pump Plunger Assembly		413C6551	Valve — Replaced by 413-6561	
401-2181	Gas Tip (Marked "B")		413E3191	Manifold Pipe — Not used on 1967 or later models	
412-3531	Tip Cleaner Stem		425-3451	Master Burner Cap and Fillers	
413-130	Screw		442A3261	Master Burner Body — Replaced by 413-5281	
413-5281	Manifold Assembly — Used on 1967 or later models		479-217	Tip Protector	
413-5531	Grate — Not interchangeable with 413A5531 — Not used on 1967 or later models		530A5071	Pump Cap Clip	
413-5541	Aux. Burner and Valve Stem		1059D1004	Screw (#10 — 32 x ¼" Rd. Hd.) (for Cap with Disc)	
413-5601	Tank, Complete				
413-6401	Block and Needle Assembly				